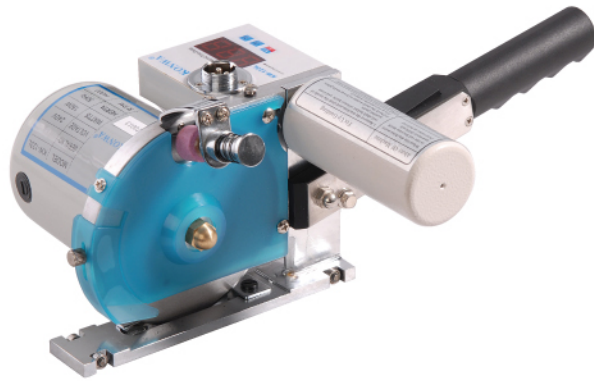


KW-123 & KW-123L

End Cutter



• KW-123L
Short Handle



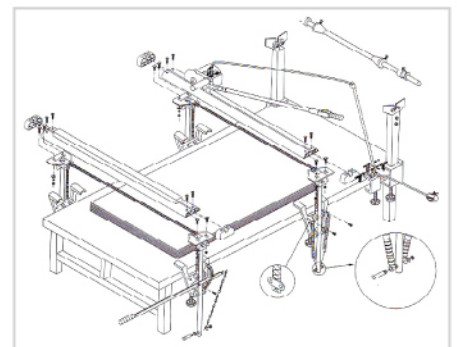
• KW-123
Long Handle



Digital Counter



Cutting Table and Accessories are sold separately



Installation Diagram

► FEATURES:

- The digital counter displays number setting and output memory.
- Insulated safety handle.
- Simple and easy operation.

Model	Knife Speed (r/min)	Rail (m)	Wattage (W)	GW / NW (kg)	Packing Size (mm)
KW-123	12000	2.6	160	15 / 13	760 x 460 x 190 (Cutting Head)
				12 / 11	55 x 110 x 2610 (Rail) 55 x 110 x 1270 (Handle)
KW-123L	12000	2.5	220	19 / 16	750 x 400 x 240 (Cutting Head)
				8 / 7	50 x 100 x 2510 (Rail)

*Specifications and appearance are subject to change without prior notice.