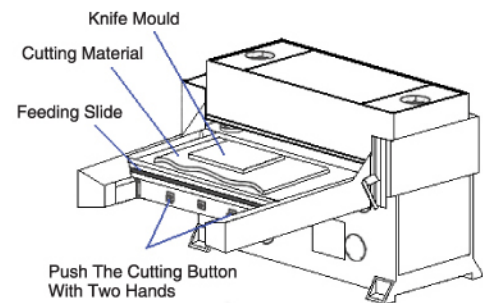


KW-T SERIES

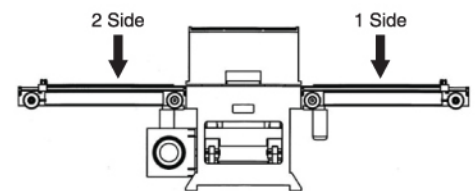
Single-Side Automatic Feeding Precision 4-Column Hydraulic Plane Cutting Machine

KW-TD SERIES

Double-Side Automatic Feeding Precision 4-Column Hydraulic Plane Cutting Machine



KW-T Series



KW-TD Series

- The machine is applicable for whole-cut or semi-cut operation of various non-metal sheet materials by die cutter.
- Uses "Mitsubishi" PLC, with simple, prompt and accurate operation.
- The main machine adopts double oil cylinder, double-crank connecting rod balancing, four-column precise guiding mechanism, which can guarantee that the cutting depth at every cutting position is same.
- The pressing board carries out slow cutting when it presses downward to connect the die cutter, which ensure that there is no size error between the uppermost layer and lowermost layer of cut materials.
- The central automatic oil lubricating system guarantees the service life and precision of machine.
- For double-side automatic feeding system, due to independent stroke for each side it can cut using cutting die with different height.

Model	KW-T40	KW-T50	KW-T60	KW-T80	KW-T100/ KW-TD100	KW-T150	KW-T200/ KW-TD200
Max. Cutting Power (tons)	40	50	60	80	100	150	200
Distance Between Beam & Cutting Table (mm)	50 - 200						
Cutting Area (mm)	1600 x 610	1600 x 800	1600 x 900		1600 x 900 / 1600 x 1500	1600 x 1000	1600 x 1000 / 1600 x 1500
Motor Power (kW)	4	5.5	7.5	10	10 / 7.5	14.5	14.5 / 11
Power Supply	415V, 50Hz						
Machine Weight (kg)	3000	4000	5500	6500	8000	10000	12000

*Specifications and appearance are subject to change without prior notice.