

KONWA®

KW-302 FOLDABLE VACUUM TABLE WITH HEATER



INSTRUCTION MANUAL & PARTS LIST

A. GENERAL

This product is a small-sized electrothermal suction ironing table which suction conduit is heated by electricity to keep table cloth dry with definite temperature maintained with high efficiency and low noise.

B. INSTRUCTION

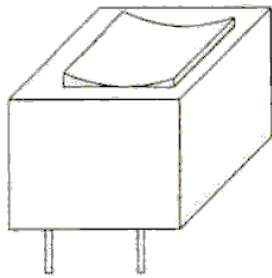
1. Socket with grounding blade must be connected to ensure that power voltage accords with machine voltage.
2. Power is ON when green push button is operated, and green button gives out light, then electrothermal tube of suction conduit is galvanized and heated (electricity is cut off automatically by thermostat when reach 70°C).
3. Foot pedal is used when suction is required.
4. Green switch must be OFF after using the machine.

Each parameter index

Voltage	240V / 50Hz
Electrothermal tube	500W
Thermostat	70°C
Blower	130W

CIRCUIT DIAGRAM PARTS

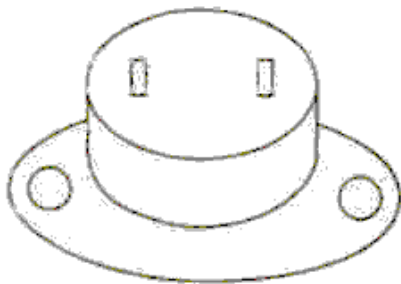
A1 – Power switch



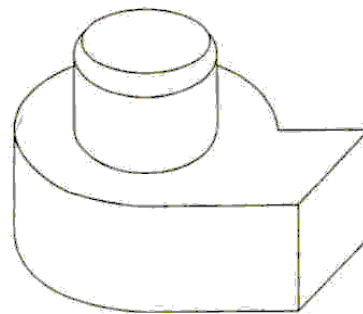
B1 – Electrothermal tube



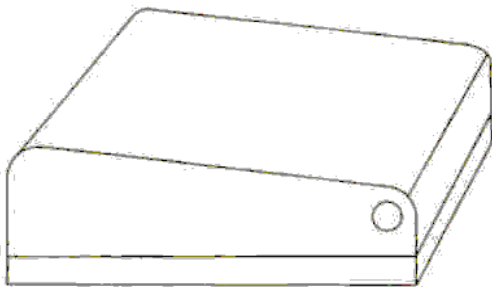
A2 – Thermostat



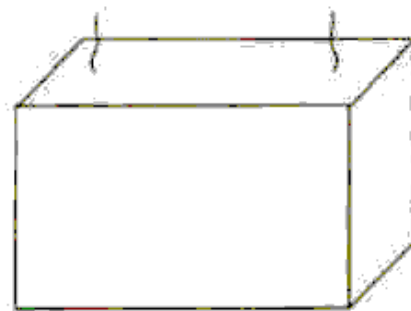
B2 – Blower



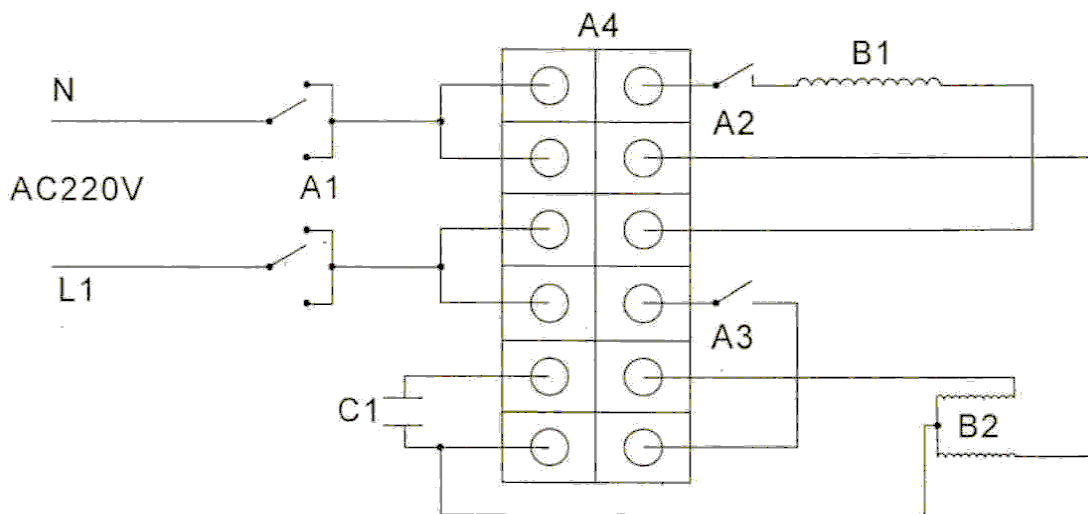
A3 – Foot-operated switch



C1 – Capacitor



A4 – Terminal



KONWA®

KONWA INDUSTRIAL SEWING MACHINE (M) SDN BHD (124740-M)

Head Office: Lot 11 & 13, Jalan 51/201, Off Jalan Tandang, Seksyen 51, 46050 Petaling Jaya,
Selangor Darul Ehsan, Malaysia.

Tel: +603-7788 1111

Fax: +603-7788 5555

E-mail: konwa@konwa.com.my URL: www.konwa.com.my